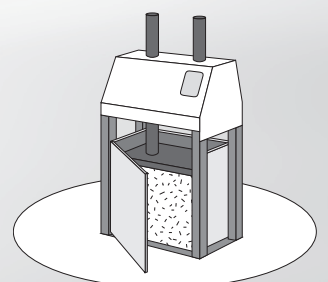




Bale presses make packets, from an impedimental waste, reduced to 20% of their volume before pressing. The presses of this type are used in supermarkets, junk centre, stocks, factories, and so on.

ADVANTAGES

- bale presses are designed for pressing of paper, cartons, plastic, foil, many type of used wrapping, textile, cans, etc.
- very positive ecological effect
- saving space in stocks, time and money
- easy manipulation with pressed waste
- cost cutting in companies waste treatment
- reasonable price





EKOPACK 40/ EKOSACK 40

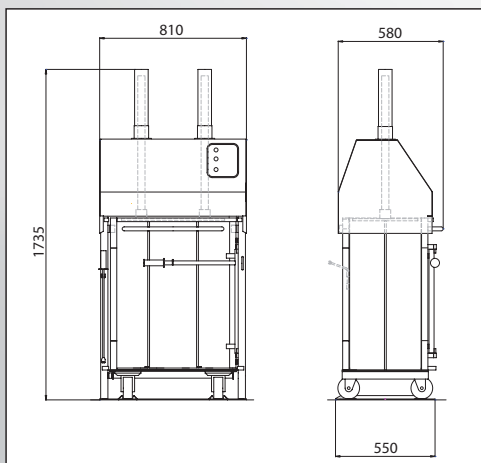
Bale presses

Baling press is composed from two parts. The first part is the actual baling press with mechanical or hydraulic pressing mechanism, with electronic regulation of max. pressing power, which ensure long-time reliability within reaching high pressure. The second part is changeable mobile container, which ensures very simple and easy manipulation with waste before/after pressing.

EKOPACK 40

This bale press is with mechanical pressing mechanism with **pressing power 4 ton** suitable for small and middle sized companies and for customers with demand for easy operating, small dimensions, elegant design and big force.

EKOSACK 40 is a press of the same construction as press EKOPACK 40 but it also is equipped with a frame inside the container for attaching a plastic bag which allows pressing small, wet and smelly material.



Technical Specifications EKOPACK 40, EKOSACK 40

Dimensions of machine (L x W x H)	815x550x1770 mm
Dimensions of packet (L x W x H)	620 x 400 x (300 - 700) mm
Weight of packet	Max. 40-70 kg
Max. pressing power	4 t + 10 %
Surface pressure	166 kPa
Drive	1.el. motor 1,1 kW/ x400 V /50 Hz
Elec. protection	IP 54
Time of pressing cycle	3 m /min.
Weight of the machine with chamber	290 kg
Maschinengewicht einschl. Presscontainer	290 kg