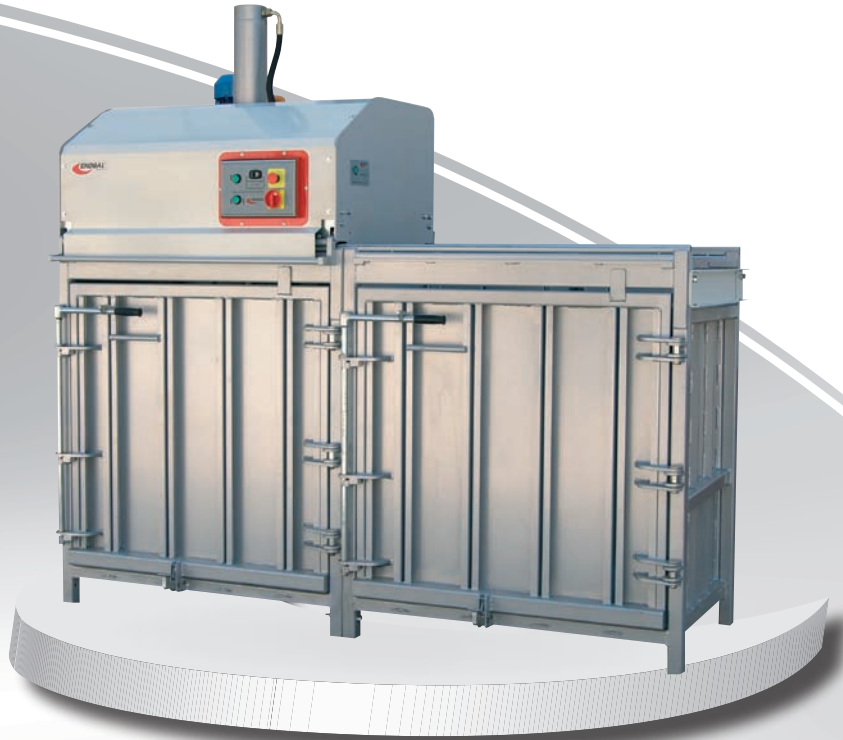


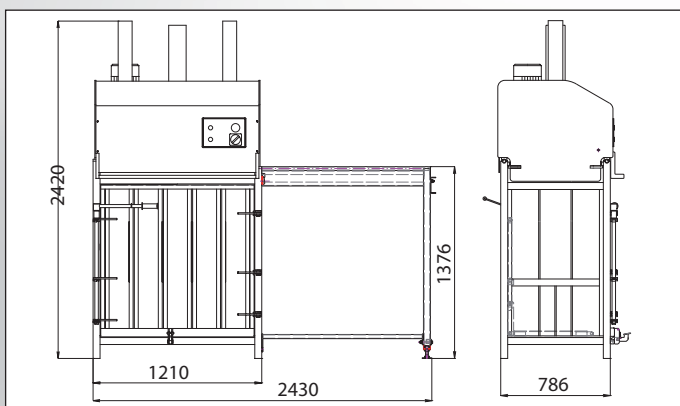
Is hydraulic bale press with pressing power 20 ton, used in supermarkets, junk centre, stocks, factories, and so on. It is suitable for middle and also for big size companies.



### Technical Specifications Ekopack 200.1..2

Dimensions of machine (L x W x H)	2370x852x2425 mm
Dimensions of packet (L x W x H)	1100 x 700 x (500–700) mm
Weight of packet	Max. 220 kg
<b>Max. pressing power</b>	<b>20 t + 10 %</b>
Surface pressure	259 kPa
Driving motor	3 kW / 3 x400 V /50 Hz
Input power/voltage	3,6kW/10A
Elec. protection	IP 54
Time of pressing cycle	20 s.
Weight of the machine	1 - 1150kg 2 - 1600kg

### EKOPACK 200.1



### EKOPACK 200.2

